

PROCENTEC



D1 Repeater

Transparent PROFIBUS DP Single Channel Repeater

The robust PROFIBUS D1 repeater is the ideal component for creating reliable PROFIBUS DP networks in demanding IP 66 environments. Especially where persistent dust and water are constantly present. It offers an economic alternative and tackles the technological limitations of existing repeaters. This first-class network component fulfils the electrical, mechanical and diagnostic requirements of the demanding modern industry.

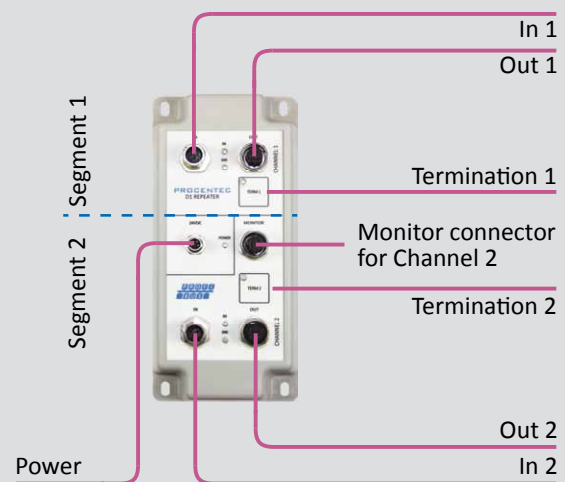
With the PROFIBUS D1 repeater, technicians quickly and easily shape a PROFIBUS DP network. The robust M12 connectors of the PROFIBUS interface provide flexible wiring. A channel can be terminated or daisy-chained to a neighboring component. An extra M12 connector is featured on the outgoing channel (channel 2) for ProfiTrace or other maintenance/engineering tools. This results in increased uptime and optimization of the entire production process. The advanced 12 Mbps core of the PROFIBUS D1 repeater can be cascaded without limitations and has increased RS 485 strength. It does not have the short-circuit bug and the data is constantly monitored for glitches which are digitally filtered out. Every channel has on-board switchable termination and is able to drive 31 devices.





PROFIBUS features

- 1 Channel (2 segments)
- Transparent for all PROFIBUS DP protocols
- Suitable for PROFIsafe and MPI
- 9.6 kbps - 12 Mbps (auto detection)
- 31 bus-loads per channel
- 1200 m Cable length (depends on baudrate)
- No limit in cascading
- Termination switches
- No address required



Connectors features

- 2x M12 male-female per segment + 1 M12 for ProfiTrace
 - Pin 1: VPP
 - Pin 2: PB-A
 - Pin 3: DGND
 - Pin 4: PB-B
 - Thread: Shield
- M8 power supply
 - Pin 1: +24 VDC
 - Pin 2: +24 VDC
 - Pin 3: GND
 - Pin 4: GND
 - Thread: Shield
- Current consumption: 125 mA @ 24 VDC
- Operating voltage: 9 .. 31 VDC

